

Tractel®'s Davitrac™ is an anchor point that can secure up to two 330 lb. (150 kg) users. It can also be used as a lifting anchor point to lift a maximum load of 1,100 lb. (500 kg). It is foldable and its size makes it easy to transport in small construction vehicles, and it is easy to handle.

The Davitrac™ is designed for people who have access to confined spaces such as silos, sewers, etc.

The Davitrac™ is supplied with two heads which can be mounted on the boom:

- 1 PPE anchor head 330 lb. (150 kg).
- 1 lifting anchor head 1,100 lb. (500 kg) for use with hoists.

In option, a double pulleys head is available. It must be used when brackets, and their accessory, are attached to the Davitrac™ mast. One pulley is dedicated for the guiding of a PPE wire rope and one pulley for the guiding of a hoist wire rope.

Only one head must be installed on the Davitrac™. The right head needs to be selected according to the job to be performed.

The mast can be equipped with two Tractel® anchor brackets to which can be attached; a Blocfor® bi-directional retrieval lifeline, a rescue or lifting work winch or a Scafor®.

When the Davitrac™ is fitted with a fall arrest or lifting system fixed to the mast, it is necessary to position the cable correctly on the pulleys dedicated either to PPE or to material lifting on the head of Davitrac™.

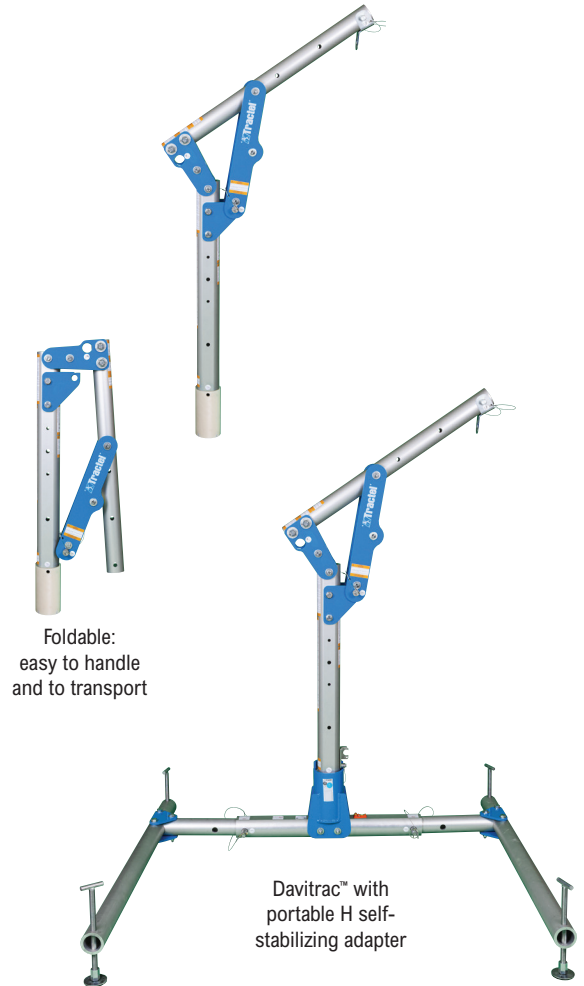
The Davitrac™ is made in aluminium and is therefore very light. It can be fitted with equipment that enables it to meet various standards. It can be configured according to the work to be carried out.

To assist in the selection of the Davitrac™ with its compatible equipment, a configurator has been developed and put into operation at www.tractel.com.

FEATURES

- Made in aluminium
- Weighs 57 lb. (26 kg).
- Adjustable anchor head from 5.5 to 6.3 ft. (1.68 to 1.92 m) (max height above the head) with a offset on the arm from 15¾ to 27¾ in. (400 to 700 mm) adjustable every 6 in. (15 cm).
- Can be fixed to the structure by four types of permanent adapters or combined with a temporary self-stabilising adapter:
 - The wall mounted adapter (1) allows the Davitrac™ adapter to be installed on the upper access points of a wall.
 - The clearance mural adapter (2) has an offset of 11½ in. (291 mm) and allows the Davitrac™ to rotate freely when installed on a wall.
 - The mounted floor adapter (3) is installed directly on any flat surface.
 - The flush floor adapter (4) is fixed in a concrete slab by drilling a 5¾ in. (145 mm) hole.
 - The portable H self-stabilising adapter (5) provides increased mobility for the Davitrac™ and can be installed on any flat surface.

The four permanent adapters must be installed with with M16 chemical anchors.



Foldable:
easy to handle
and to transport

Davitrac™ with
portable H self-
stabilizing adapter



1. Wall mounted
adapter

2. Clearance mural
adapter

3. Mounted floor
adapter

4. Flush
floor adapter

5. Portable H
self-stabilizing adapter

⚠ WARNING

In any case, the Davitrac™ can only support a lifting load of up to 1,100 lb. (500 kg).

⚠ WARNING

Only brackets and equipment approved by Tractel® can be installed on the Davitrac™.

⚠ WARNING

In any case the Davitrac™ arm cannot be used as a lifting means when used as a fall arrest anchor.

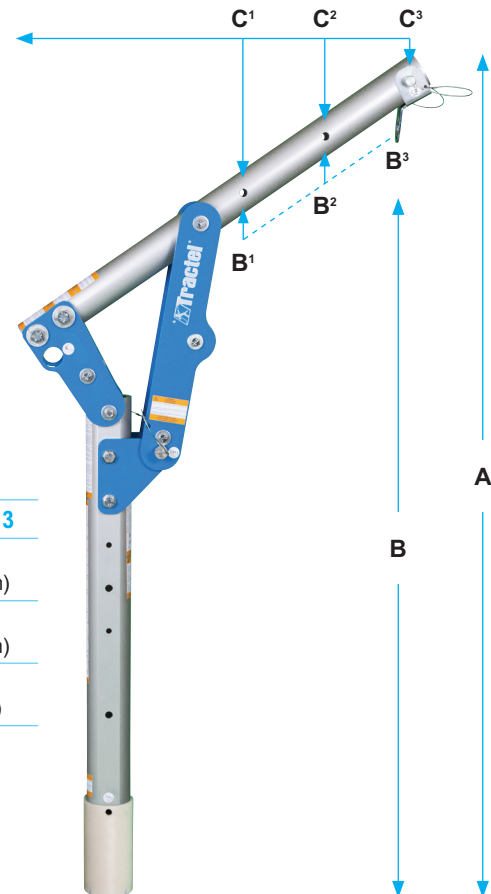
APPLICATIONS

- Rescue
- Confined spaces
- Rope works
- Manholes
- Pits
- Sewer access
- Pipes
- Oil and gas
- Civil engineering
- Industry
- Wind and solar installation

APPLICABLE STANDARDS

- CSA Z259.15-17
- ANSI Z359.18-17
- Meets or exceeds OSHA

	POSITION	CLOSED	OPENING 1	OPENING 2	OPENING 3
A	TOTAL HEIGHT	47½ in. (1,216 mm)	75½ in. (1,915 mm)	75½ in. (1,915 mm)	75½ in. (1,915 mm)
B	USEFUL HEIGHT	–	55½ in. (1,400 mm)	59½ in. (1,520 mm)	64½ in. (1,640 mm)
C	POSITION OF THE HEAD OF THE ARM	–	15¼ in. (400 mm)	21¾ in. (550 mm)	27½ in. (700 mm)



THE DIFFERENT ANCHOR POINTS

Davitrac™ head anchors

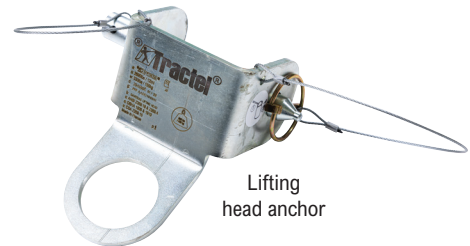
The anchor points on the head of the Davitrac™ are designed to:

- Install all PPE fall arrest systems or rescue systems.
 - 16 to 230 ft. (5 to 70 m) Stopfor® B rope grab with a maximum capacity of 310 lb. (140 kg).
 - 50 or 100 ft. (15 or 30 m) Blocfor® bi-directional retrieval lifeline with a maximum capacity of 310 lb. (140 kg).
 - 16 to 230 ft. (5 to 70 m) Derope® emergency escape/controlled descent devices with a maximum capacity of 310 lb. (140 kg).
- Install hoists with a maximum capacity of 1,100 lb. (500 kg).
 - Minifor® TR30 electric hoist with a maximum capacity of 600 lb. (300 kg)
 - Minifor® TR50 electric hoist with a maximum capacity of 1,100 lb. (500 kg).
 - 16 to 100 ft. (5 to 30 m) Tralift® manual chain hoist with a maximum capacity of 550 lb. (250 kg)
 - 16 to 100 ft. (5 to 30 m) Tralift® manual chain hoist with a maximum capacity of 1,100 lb. (500 kg).

Note: One anchor point is dedicated to the connection of PPE or rescue device. The other one is dedicated to material lifting hoist.



Fall protection head anchor



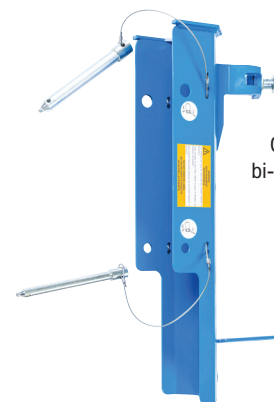
Lifting head anchor

Optional brackets

The anchor points that can be adapted to the Davitrac™ mast (the Tractel® brackets) are designed to:

- Install PPE:
 - 50 or 100 ft. (15 or 30 m) Blocfor® bi-directional retrieval lifeline with a maximum capacity of 310 lb. (140 kg).
- Install a winch for rope access:
 - 65 or 100 ft. (20 or 30 m) work winch with a maximum capacity of 330 lb. (150 kg).
- Install lifting winches:
 - 50 or 100 ft. (15 or 30 m) work winch with a maximum capacity of 880 lb. (400 kg).
 - 100 to 330 ft. (30 to 100 m) Scafor® manual hoist with a maximum capacity of 880 lb. (400 kg).

Note: The use of at least one bracket (and its accessory) requires the double pulleys head. One pulley is dedicated for the guiding of a PPE wire rope and one pulley for the guiding a of hoist wire rope.



Optional Blocfor® bi-directional retrieval lifeline bracket

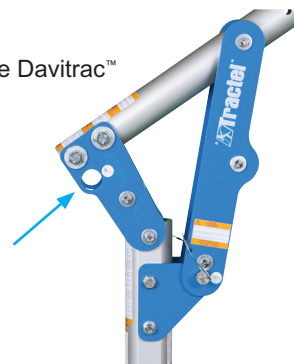


Optional two guided cable pulley head anchor

PPE anchor points

The two PPE anchor points on the pivot of the mast joint of the Davitrac™ are designed to:

- Install a PPE (lanyard, Blocfor®...) with a maximum capacity of up to 330 lb. (150 kg).



THE DIFFERENT OPERATION WITH DAVITRAC™

Confined access operation

WARNING

Two operators must always participate in a confined access operation.

- The operator(s) remaining on top will be secured with the anchor point on the pivot of the mast with a lanyard.
- The operator going down will be secured through one of the two possibilities the Davitrac™ offers:
 - Using a Blocfor® bi-directional retrieval lifeline combined with its bracket and installed on the mast AND a work winch and its bracket installed on the mast.
 - Using a Blocfor® bi-directional retrieval lifeline combined with its bracket and installed on the mast AND a Scafor® manual hoist and its bracket installed on the mast.

Rescue operation

WARNING

The rescue operation must always be taken into consideration before using a Blocfor® bi-directional retrieval lifeline, a work winch or a Scafor® manual hoist on the Davitrac™.

- When the Davitrac™ is used for a rescue operation, the injured person can be rescued using the winch from Blocfor® bi-directional retrieval lifeline. For this operation the rescuer does not need to secure the injured person with an additional fall arrest system.
- The rescuer needs to secure themselves to one of the anchor points on the pivot of the mast to operate the winch.

Rope-suspended operation

- To move underneath the Davitrac™ crane arm, the user must comply with the legislation on rope access and positioning techniques. The system must comprise at least one work rope, constituting a means of access, ascent or descent and support, and a safety rope equipped with a fall arrest system (fall arrest device on flexible belaying support type Stopfor® B rope grab or automatic fall arrest device as the Blocfor®). These two devices must be anchored separately on two anchor points or on an anchor point that has been the subject of a calculation note drawn up by the employer or a competent person. Workers must be equipped with an appropriate fall arrest harness. They must use it and connect it to both the safety rope and the work rope. The ropes must each be connected to the mast using a Tractel® bracket.

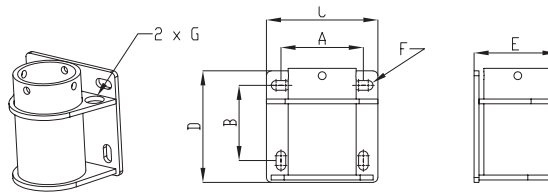
THE ADAPTERS

The Davitrac™ adapters are exclusively designed to be installed with the Davitrac™, Davitrac™+ or Davimast manufactured by Tractel®. They allow the Davitrac™ to rotate 360° in relation to its axis.

They are fixed with four heavy duty chemical anchors with a diameter of 5/8 in. (16 mm). They can be installed without any specific tools and are quick and easy to install.

Wall mounted adapter

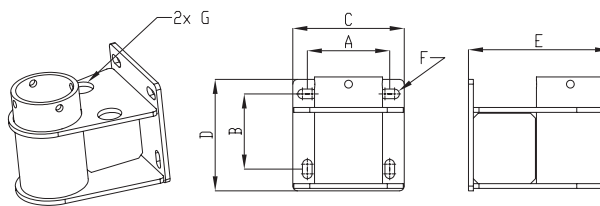
The wall mounted adapter allows the Davitrac™ to be installed on a high point access to a vertical surface. It is equipped with two PPE anchoring points of 330 lb. (150 kg) each which can be used by up to two operators to secure themselves when installing the Davitrac™.



MATERIAL	WEIGHT	A	B	C	D	E	F
Galvanized steel	29.8 lb. (13.5 kg)	6 5/8 in. (170 mm)	6 in. (155 mm)	9 in. (230 mm)	9 in. (230 mm)	6 5/8 in. (171 mm)	3/4 in. (20 mm)

Clearance mural adapter

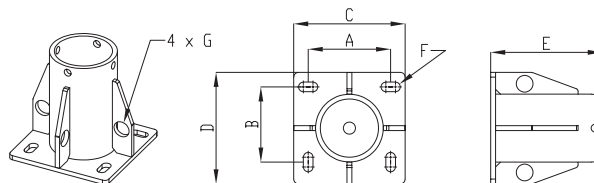
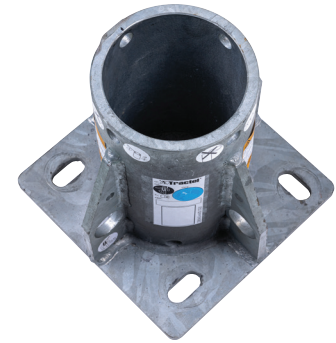
The clearance mural adapter allows the Davitrac™ to be installed at any point on a vertical surface. It has an offset of 11 1/2 in. (291 mm) and is equipped with two PPE anchoring points of 330 lb. (150 kg) each, which can be used by up to two operators to secure themselves during the installation of the Davitrac™.



MATERIAL	WEIGHT	A	B	C	D	E	F
Galvanized steel	40.8 lb. (18.5 kg)	6 5/8 in. (170 mm)	6 in. (155 mm)	9 in. (230 mm)	9 in. (230 mm)	11 1/2 in. (291 mm)	3/4 in. (20 mm)

Mounted floor adapter

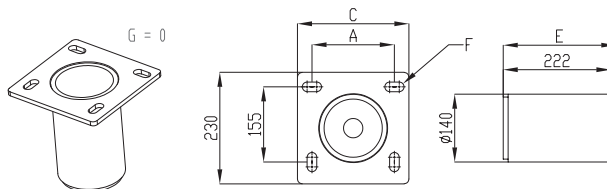
The mounted floor adapter allows the Davitrac™ to be installed at any point on a horizontal surface. It is equipped with four PPE anchoring points of 330 lb. (150 kg). A maximum of two operators can be secured when installing the Davitrac™.



MATERIAL	WEIGHT	A	B	C	D	E	F
Galvanized steel	27.6 lb. (12.5 kg)	6 $\frac{5}{8}$ in. (170 mm)	6 in. (155 mm)	9 in. (230 mm)	9 in. (230 mm)	9 in. (230 mm)	$\frac{3}{4}$ in. (20 mm)

Flush floor adapter

The flush floor adapter allows the Davitrac™ to be installed on the floor on a horizontal surface. It is fixed in a concrete slab by drilling a 5 $\frac{3}{4}$ in. (145 mm) hole. A protective cap is also available for this adapter.



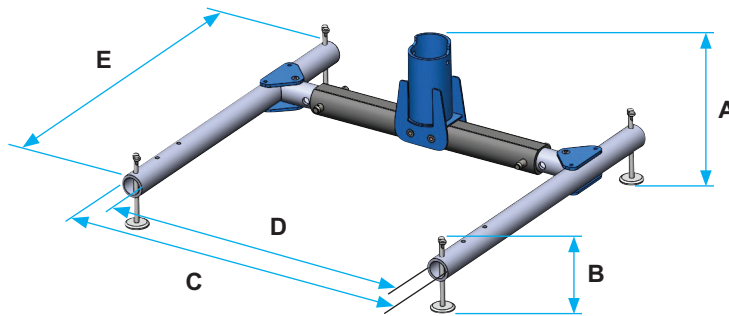
MATERIAL	WEIGHT	A	B	C	D	E	F
Galvanized steel	23.8 lb. (10.7 kg)	6 $\frac{5}{8}$ in. (170 mm)	6 in. (155 mm)	9 in. (230 mm)	9 in. (230 mm)	9 $\frac{1}{8}$ in. (232 mm)	$\frac{3}{4}$ in. (20 mm)

Portable H self-stabilizing adapter

The portable H self-stabilizing adapter allows the Davitrac™ to be installed and moved on all flat surfaces.

It is foldable and lightweight which makes it easily transportable. It is adjustable to best adapt to the job site. It is equipped with a stopper limiting its rotation to 90° relative to its lifting axis in order to prevent the load from tilting.

The adapter is delivered in three parts, two legs of 36.6 lb. (16.6 kg) each and an adjustable adapter of 43.7 lb. (19.8 kg).



MATERIAL	WEIGHT	A	B	C	D	E
Adapter in anodized aluminium and blue epoxy painted steel plate	116.8 lb. (53 kg)	18½ in. (470 mm)	7¼ in. (198 mm)	55¼–66⅞ in. (1,404–1,680 mm)	52⅞–62⅞ in. (1,324–1,600 mm)	59 in. (1,500 mm)

THE BRACKETS

The Davitrac™ brackets are exclusively designed to be installed with the Davitrac™ or Davitrac™+ manufactured by Tractel®. They give the Davitrac™ the versatility needed to be a great asset in any job.

They can be installed without any specific tools and are quick and easy to install.

Blocfor® bi-directional retrieval lifeline bracket

The bracket for the Blocfor® bi-directional retrieval lifeline has been designed for installation on the mast of the Tractel® Davitrac™ and Davitrac™+. In order to use the Blocfor® correctly on the Davitrac™, the cable must be placed on the PPE pulley attached to the head of the Davitrac™ arm.

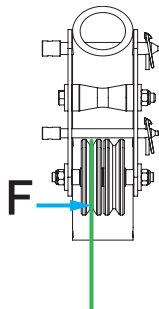
The choice of the pulley must be made according to the use of the system. For the Blocfor®, use the PPE pulley (F)

The main advantages of using the Blocfor® bi-directional retrieval lifelines are:

- A very good grip for its transport and installation.
- Simplified maintenance thanks to its optimised design.
- A rescue winch allowing a user weighing 310 lb. (140 kg) to be lifted for galva cable devices or 220 lb. (100 kg) to be lifted for stainless-steel cable devices

FEATURES

- Bracket delivered and assembled together with the chosen Blocfor®
- Can fit the standard 50 and 100 ft. (15 and 30 m) Blocfor® and Blocfor® bi-directional retrieval lifelines.
- Supplied with fixing pins to connect the bracket to the Davitrac™.
- Material: steal with epoxy paint
- Weight: 8.4 lb. (3.8 kg)
- Height: 19⁵/₁₆ in. (490 mm)
- Width: 4¹/₂ in. (114 mm)
- Depth: 8 in. (202 mm)



Blocfor®
bi-directional
retrieval lifeline
with bracket

Scafor® manual winch bracket

The bracket for the Scafor® manual winch has been designed for installation on the mast of the Davitrac™ and Davitrac™+. In order to use the Scafor® correctly on the Davitrac™, the cable must be placed on a pulley attached to the head of the Davitrac™ arm.

The choice of the pulley must be made according to the use of the winch. For the Scafor®, use the lifting pulley (G) which can lift up to 880 lb. (400 kg).

The main advantages of using the Scafor® manual winch are:

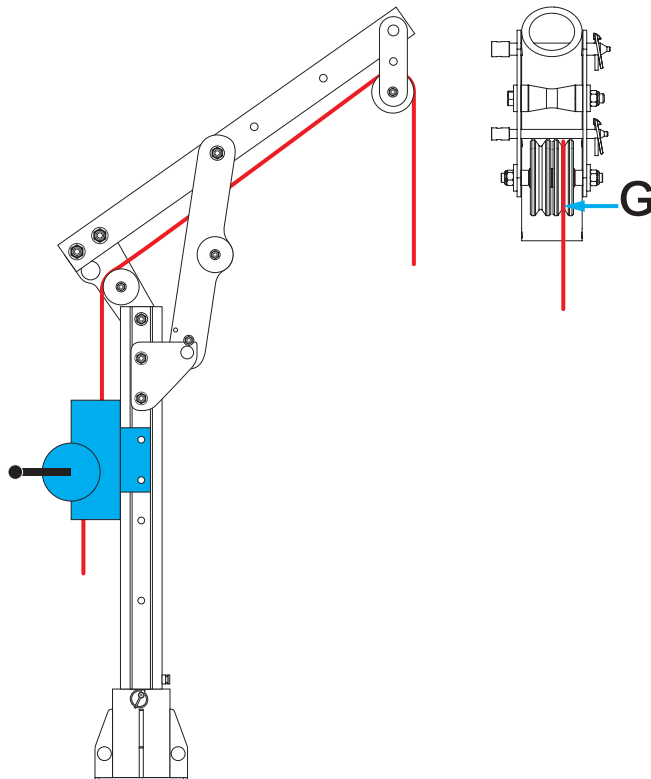
- Unlimited wire rope length
- Double crank (handle to ease operation)
- Internal safety break

FEATURES

- Bracket delivered and assembled together with the Scafor®.
- Can fit the Scafor® manual winch by Tractel®.
- Supplied with fixing pins to connect the bracket to the Davitrac™.
- Material: steel with epoxy paint
- Weight: 6.4 lb. (2.9 kg)
- Height: 17 $\frac{1}{16}$ in. (432 mm)
- Width: 3 $\frac{7}{8}$ in. (98 mm)
- Depth: 6 $\frac{13}{16}$ in. (172 mm)



Scafor®
manual winch
with bracket



Work winch bracket

The work winches are material lifting equipment. They meet the requirements for material hoists with a maximum load of 880 lb. (400 kg).

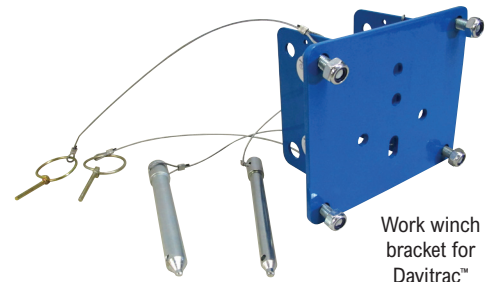
The work winch is a material lifting equipment that have been tested for installation to the mast of the Tractel® Davitrac™ and Davitrac™+. It is supplied with a specific bracket for this purpose.

The work winch can also be used for rope-suspended operation. Its wire rope act as the mean of access. In this use, the maximum capacity of the work winch is 330 lb. (150 kg).

The user performing the rope-suspended operations must always be connected to a fall arrest device (Blocfor®).

FEATURES

- Automatic brake
- Drum and gearwheel mounted on bronze bearings
- Corrosion resistant with trivalent zinc plated finish on the frame, mechanical parts and the drum
- 10 in. (25 cm) removable winch handle with mounting hardware
- Protection of users and mechanical parts by an ergonomic protective cover that can be removed for maintenance.
- Quick and easy cable connection
- Machine cut spur gears for accurate and long lasting service
- Equipped with anti-spin wire rope to ensure the safety and the non-rotation of the load or of the user performing rope-suspended operations.
- The work winch with its bracket is fixed with two pins to the Davitrac™.
- Bracket delivered and assembled together with the selected work winch.

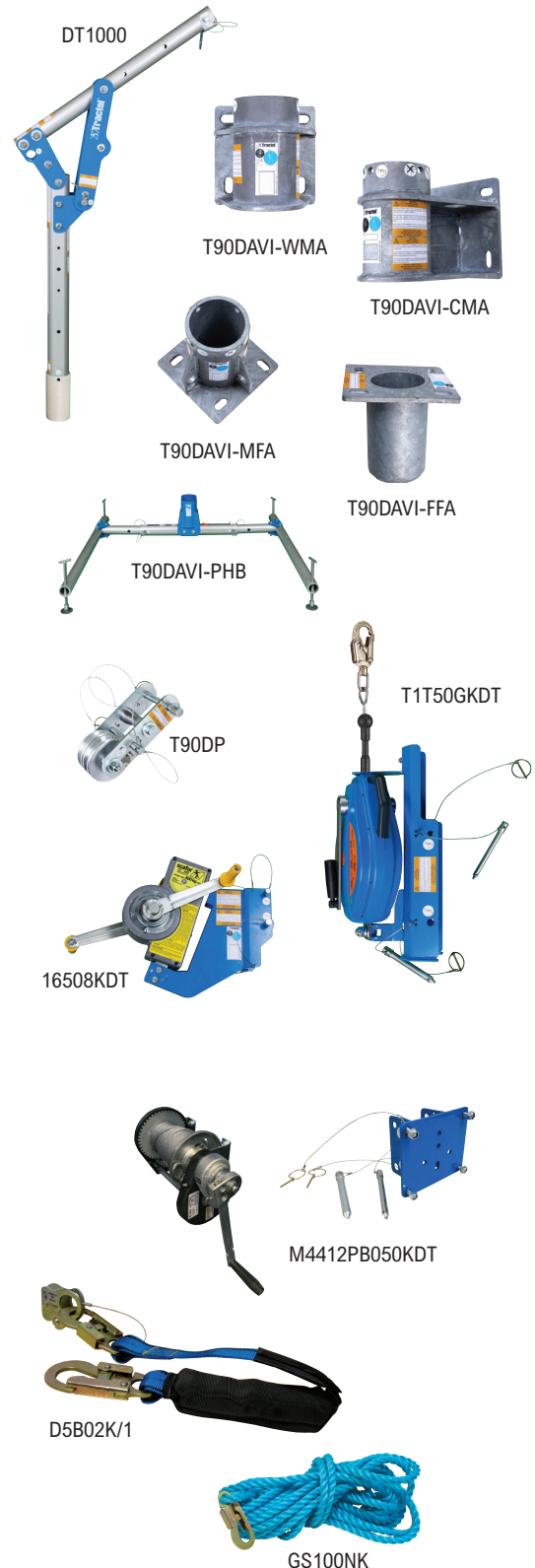


Work winch bracket for Davitrac™



Work winch

PARTS	DESCRIPTION	WEIGHT
DT1000	Davitrac™ davit arm with PPE anchor point and material head anchors	57 lb. (26 kg)
Adapters		
T90DAVI-WMA	Wall mounted adapter	
T90DAVI-CMA	Clearance mural adapter	
T90DAVI-MFA	Mounted floor adapter	
T90DAVI-FFA	Flush floor adapter	
T90DAVI-CAP	Protective cap for flush floor adapter	
T90DAVI-PHB	Portable H self-stabilizing adapter	
Two guided cable pulley head anchor		
T90DP	Davitrac™ two guided cable pulley head anchor	
Blocfor® bi-directional retrieval lifeline kits		
T1T50GKDT	50 ft. (15 m) Blocfor® bi-directional retrieval lifeline with galvanized steel wire rope and Davitrac™ bracket	
T1T50SKDT	50 ft. (15 m) Blocfor® bi-directional retrieval lifeline with stainless steel wire rope and Davitrac™ bracket	
T1T100GKDT	100 ft. (30 m) Blocfor® bi-directional retrieval lifeline with galvanized steel wire rope and Davitrac™ bracket	
T1T100SKDT	100 ft. (30 m) Blocfor® bi-directional retrieval lifeline with stainless steel wire rope and Davitrac™ bracket	
Scafor® hand-operated wire rope hoist kit		
16508KDT	Scafor® hand-operated wire rope hoist and Davitrac™ bracket	
Work winch kit		
M4412PB050KDT	50 ft. (15 m) work winch with galvanized steel wire rope and Davitrac™ bracket	
M4412PB100KDT	100 ft. (30 m) work winch with galvanized steel wire rope and Davitrac™ bracket	
Optional Stopfor® B rope grab		
D5B02K/1	5/8 in. (16 mm) Stopfor® B rope grab with 30 in. (76 cm) shock-absorbing lanyard retained by a wire rope	2.9 lb. (1.3 kg)
D5BP02K/1	5/8 in. (16 mm) Stopfor® B rope grab with park feature with 30 in. (76 cm) shock-absorbing lanyard retained by a wire rope	2.9 lb. (1.3 kg)
GS25NK	25 ft. x 5/8 in. (7.6 m x 16 mm) three strands rope for Stopfor® B rope grab	3.4 lb. (1.5 kg)
GS50NK	50 ft. x 5/8 in. (15 m x 16 mm) three strands rope for Stopfor® B rope grab	6 lb. (2.7 kg)
GS75NK	75 ft. x 5/8 in. (22 m x 16 mm) three strands rope for Stopfor® B rope grab	8.6 lb. (3.9 kg)
GS100NK	100 ft. x 5/8 in. (30 m x 16 mm) three strands rope for Stopfor® B rope grab	11.2 lb. (5.1 kg)
GS150NK	150 ft. x 5/8 in. (45 m x 16 mm) three strands rope for Stopfor® B rope grab	17.2 lb. (7.8 kg)
GS200NK	200 ft. x 5/8 in. (76 m x 16 mm) three strands rope for Stopfor® B rope grab	22.7 lb. (10.3 kg)



Minifor® electric hoist

261019	Minifor® TR30 electric hoist – 660 lb. (300 kg) rated load, 17 fpm (5 m/min), 6½ ft. (2 m) pendant, 115 V	46 lb. (20.9 kg)
261029	Minifor® TR30S electric hoist – 660 lb. (300 kg) rated load, 43 fpm (13 m/min), 6½ ft. (2 m) pendant, 115 V	71 lb. (32.2 kg)
261079	Minifor® TR30S electric hoist – 660 lb. (300 kg) rated load, 43 fpm (13 m/min), 6½ ft. (2 m) pendant, 220 V	71 lb. (32.2 kg)
261039	Minifor® TR50 electric hoist – 1,100 lb. (500 kg) rated load, 23 fpm (7 m/min), 6½ ft. (2 m) pendant, 115 V	71 lb. (32.2 kg)
261059	Minifor® TR50 electric hoist – 1,100 lb. (500 kg) rated load, 23 fpm (7 m/min), 6½ ft. (2 m) pendant, 220 V	71 lb. (32.2 kg)
705602010	33 ft. x ¼ in. (10 m x 6.5 mm) galvanised wire rope with swivel hook for Minifor® electric hoist	
705602020	65 ft. x ¼ in. (20 m x 6.5 mm) galvanised wire rope with swivel hook for Minifor® electric hoist	
705602030	100 ft. x ¼ in. (30 m x 6.5 mm) galvanised wire rope with swivel hook for Minifor® electric hoist	
705602045	150 ft. x ¼ in. (45 m x 6.5 mm) galvanised wire rope with swivel hook for Minifor® electric hoist	
705602050	165 ft. x ¼ in. (50 m x 6.5 mm) galvanised wire rope with swivel hook for Minifor® electric hoist	
705602060	200 ft. x ¼ in. (60 m x 6.5 mm) galvanised wire rope with swivel hook for Minifor® electric hoist	
705602070	230 ft. x ¼ in. (70 m x 6.5 mm) galvanised wire rope with swivel hook for Minifor® electric hoist	

Tralift® manual chain hoist

56429	500 lb. (¼ t) Tralift® manual chain hoist with 10 ft. (3 m) lift chain	7.1 lb. (3.2 kg)
19709	1,000 lb. (½ t) Tralift® manual chain hoist with 10 ft. (3 m) lift chain	18.7 lb. (8.5 kg)

Accessories

DTTR1000	Davitrac™ transport trolley
DTB1000	Davitrac™ transport bag

